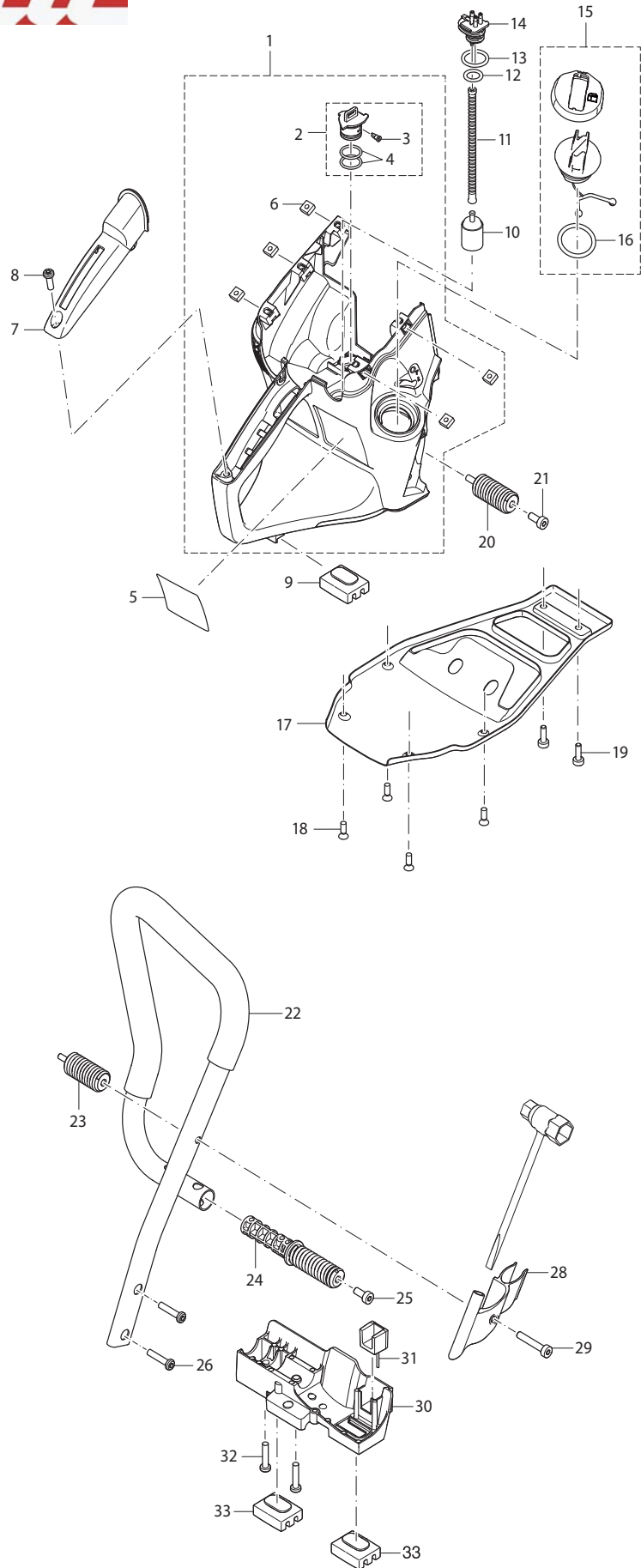
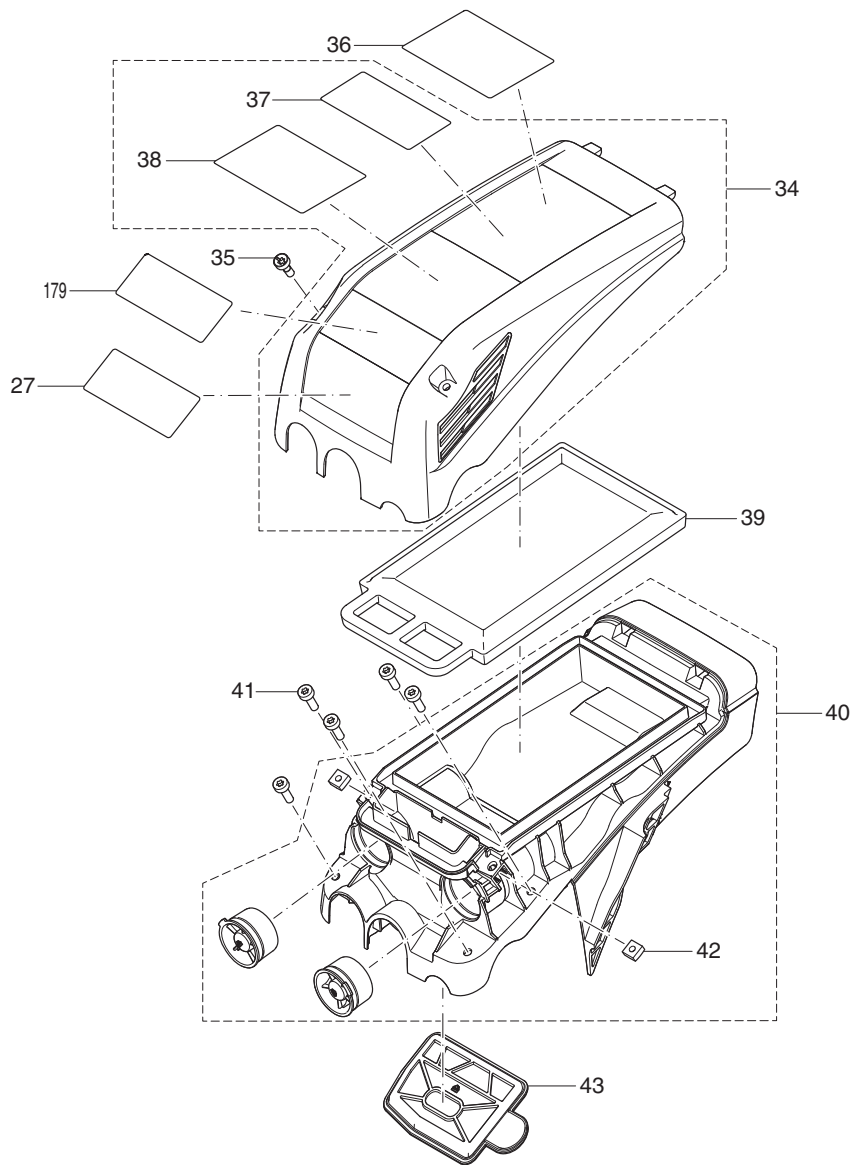


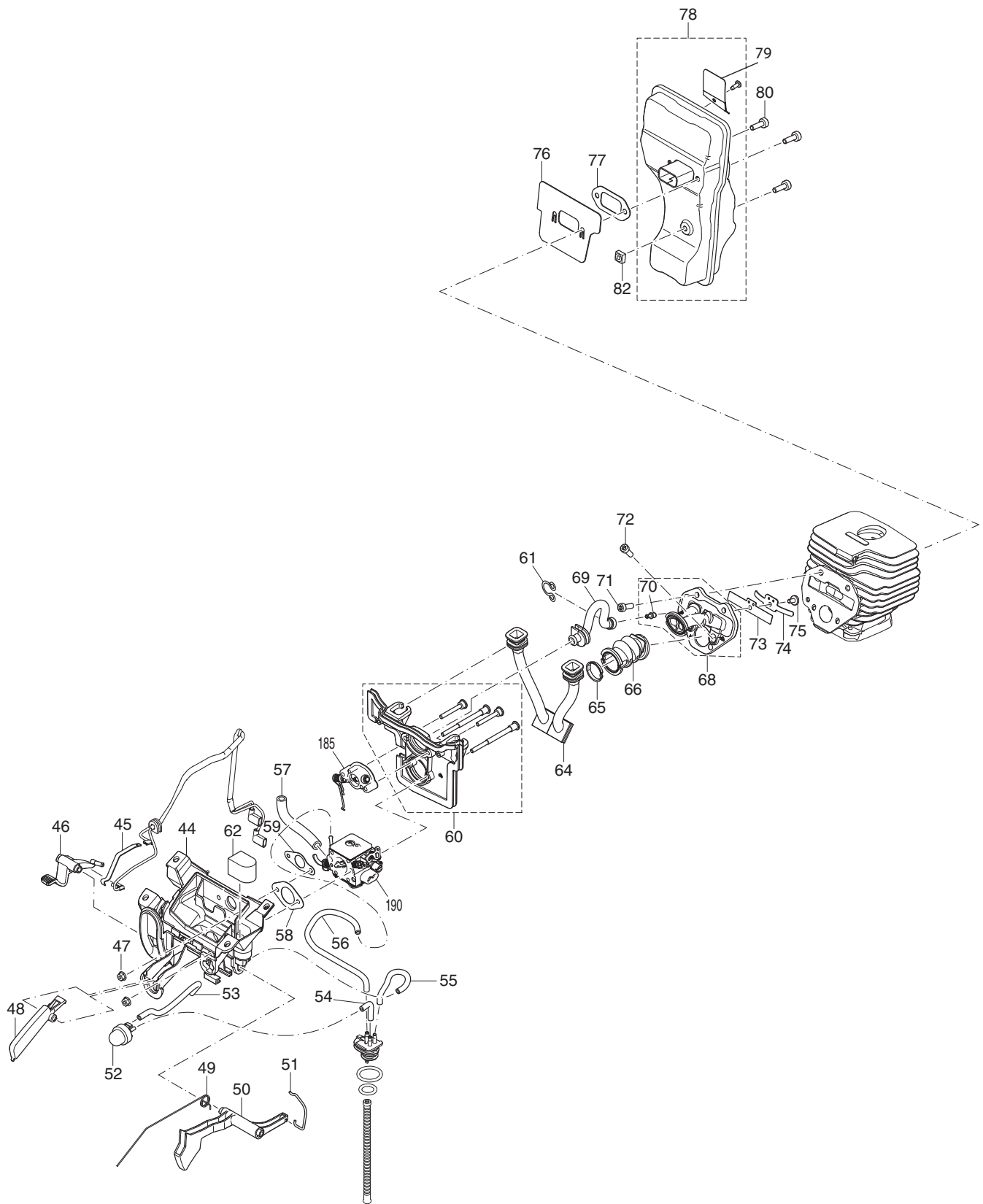


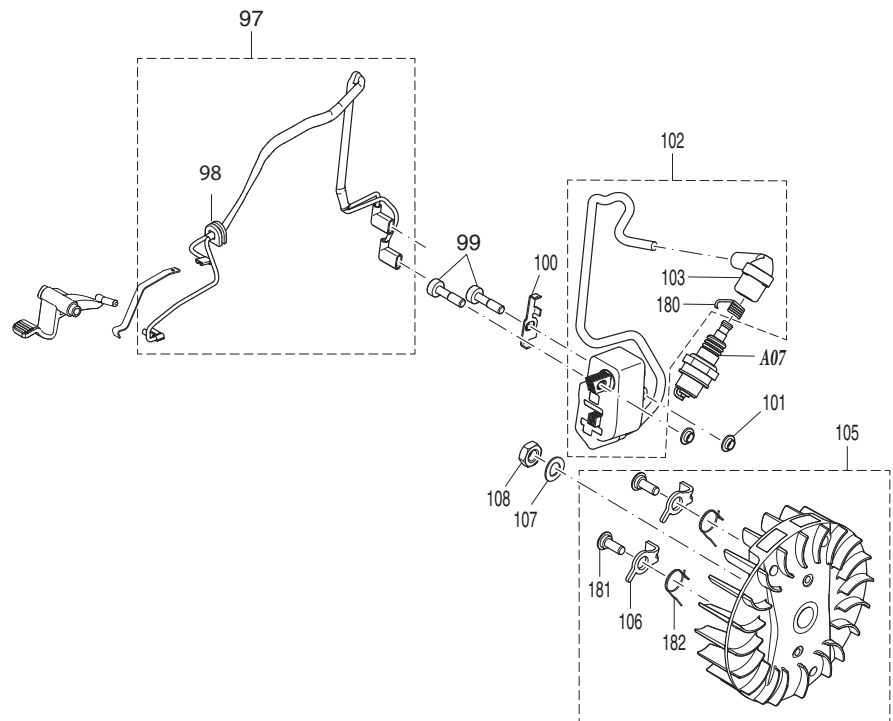
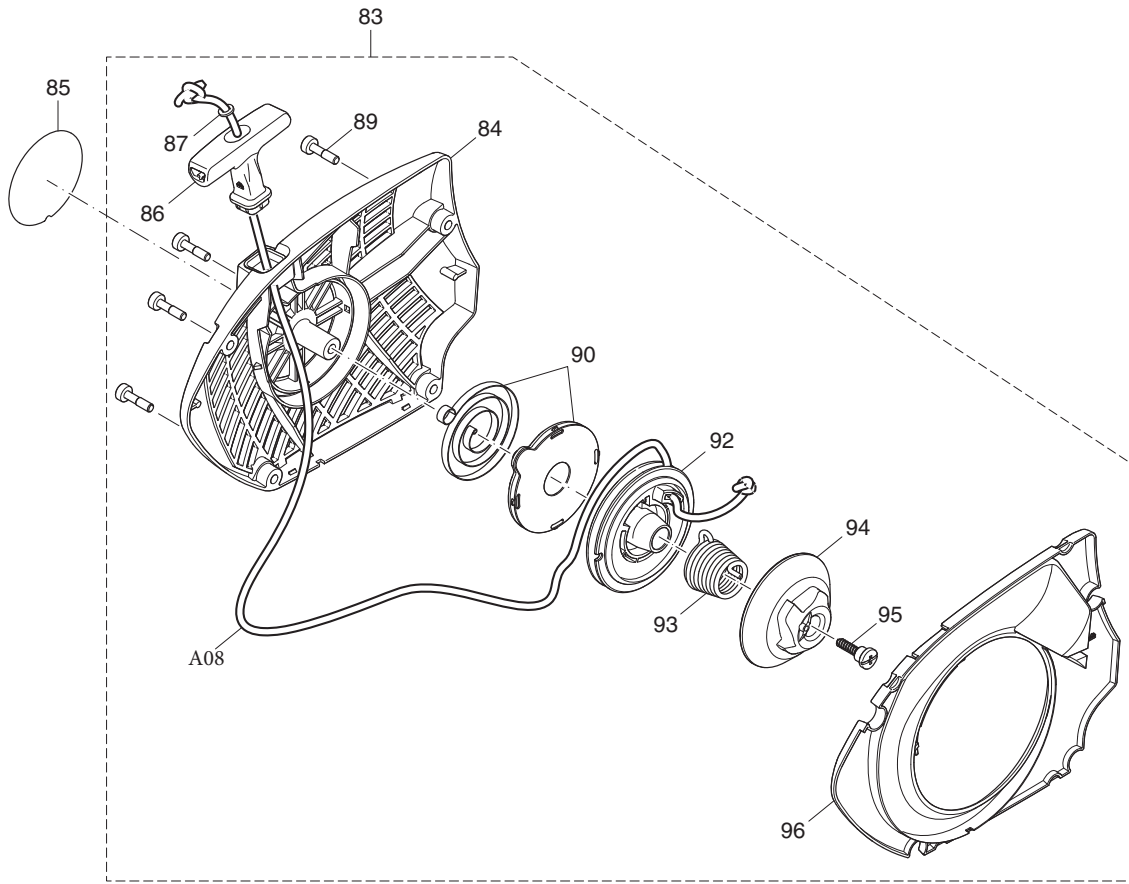
03 - 2017
EK6101

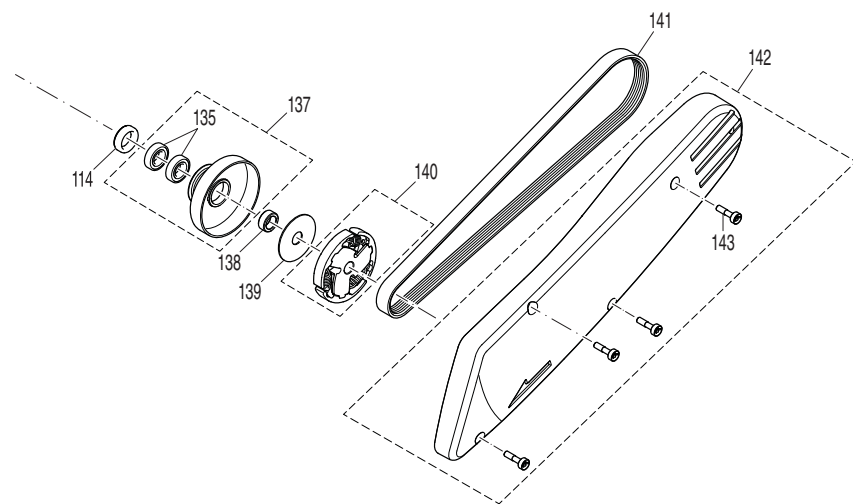
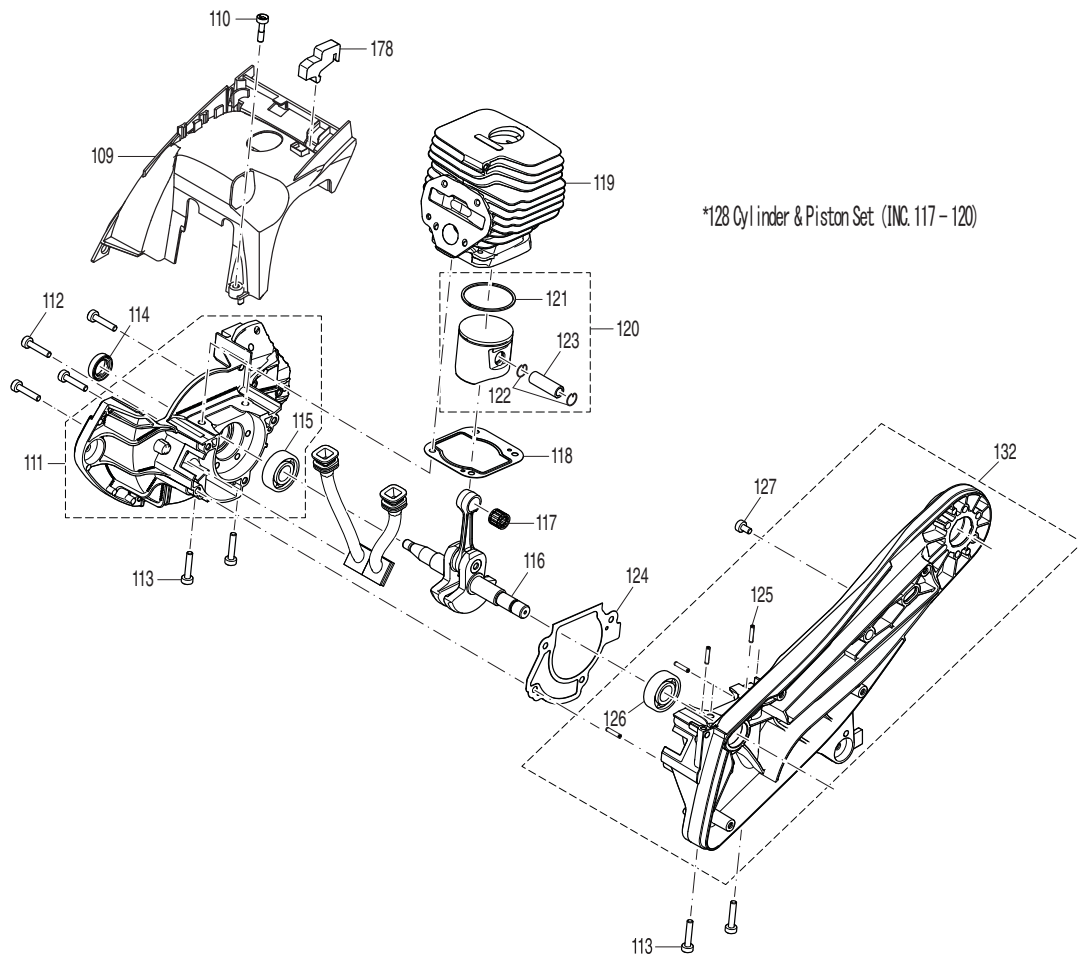
14" 2 Stroke Power Cutter 61 cc (20mm Arbor)

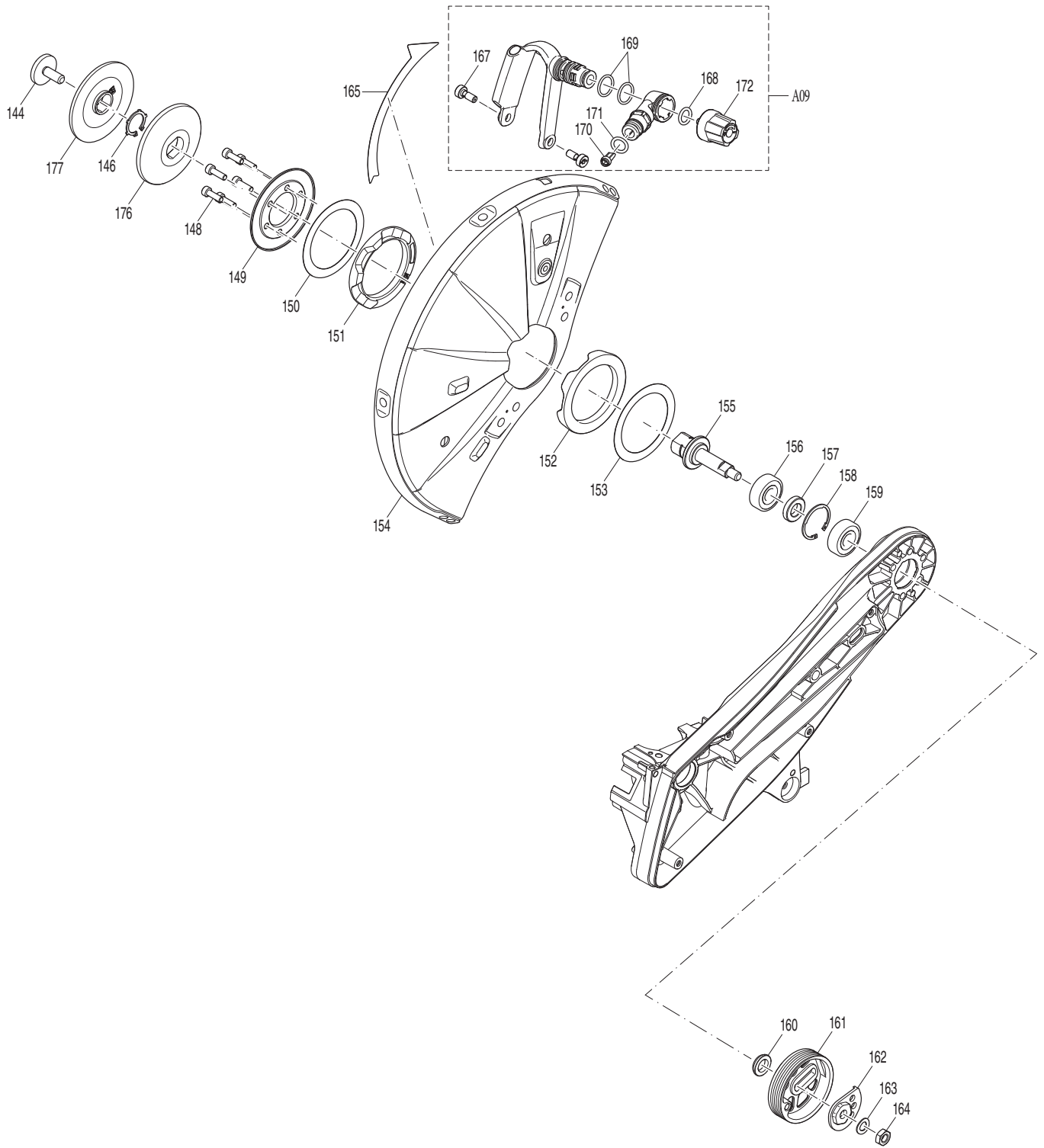


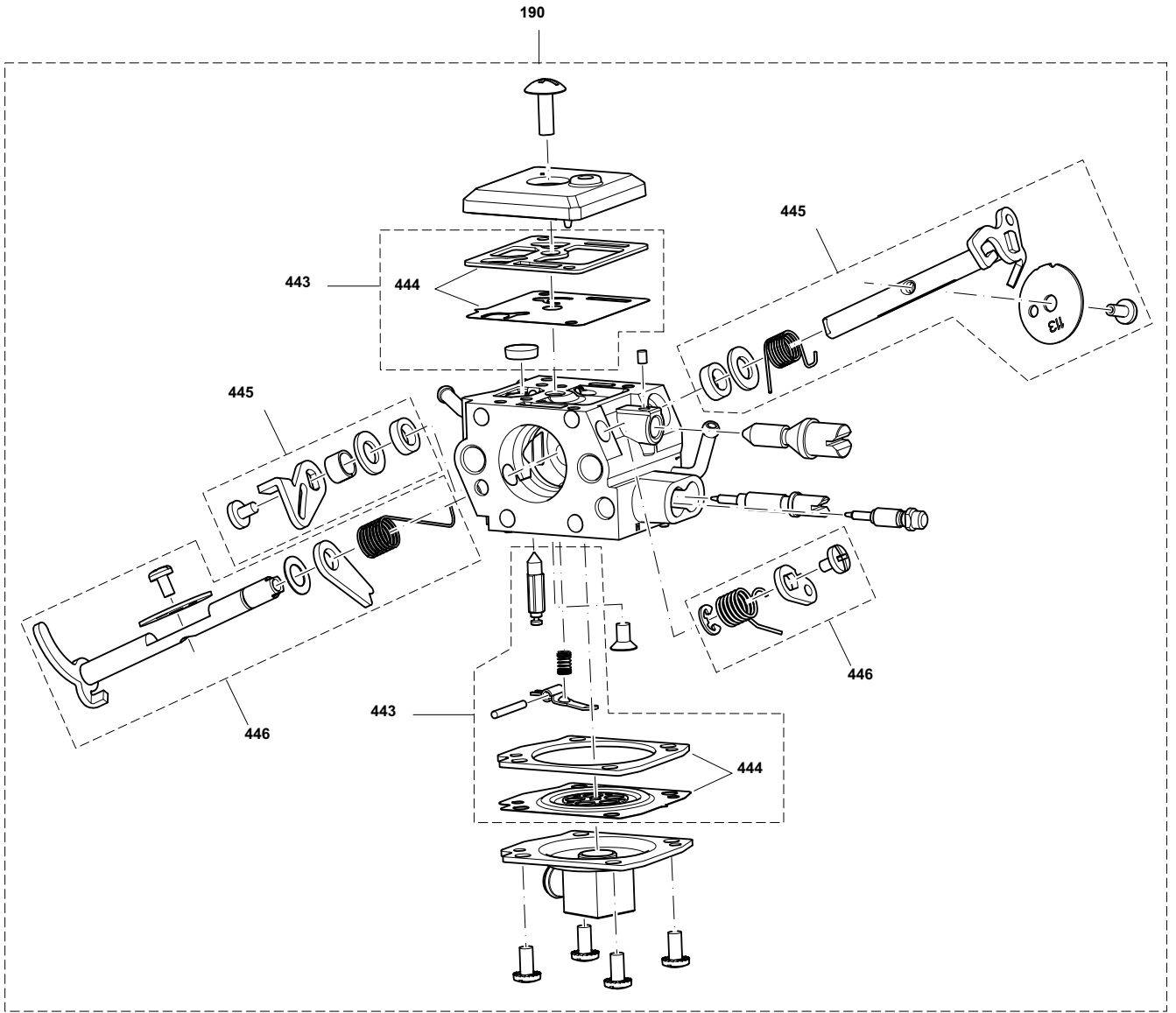












Item No.	Type	Sub	Part No.	Description	Qty	Unit
001			123476-5	FUEL TANK COM. BLUE	1	PC.
		INC.		Item No. 2		
002	1		315 175 061	VALVE COVER COM.	1	PC.
		INC.		Item No. 3,4		
	2		143445-0	VALVE COVER COM.	1	PC.
		INC.		Item No. 3,4		
003			424170-5	VALVE	1	PC.
004			963 217 020	O-RING 17	2	PC.
005			852C57-3	NAME PLATE F/ EK6101	1	PC.
006			264108-6	SQUARE NUT M5	5	PC.
007			456295-7	GRIP OUTER SHELL	1	PC.
008			266478-9	TORX TAPPING SCREW M5.5X16	1	PC.
009			424781-6	RUBBER FOOT	1	PC.
010			163499-1	SUCTION HEAD	1	PC.
010A	Opt.		010 114 020	REPAIR KIT, FILTER F/SUNTION HAED 163499-1	1	PC.
011	1		315 114 140	FUEL LINE	1	PC.
	2		424782-4	FUEL LINE	1	PC.
012	1		963 213 030	O-RING 13	1	PC.
	2		213826-3	O-RING 13	1	PC.
013	1		963 221 030	O-RING 20	1	PC.
	2		213827-1	O-RING 20	1	PC.
014	1		315 114 150	NIPPLE	1	PC.
	2		456299-9	NIPPLE	1	PC.
015	1		315 114 350	TANK CAP COMPLETE	1	PC.
		INC.		Item No. 16		
	2		141378-3	TANK CAP COMPLETE	1	PC.
		INC.		Item No. 16		
016			213080-9	O RING 29.5	1	PC.
017			346958-2	BOTTOM SHEET	1	PC.
018	2		266991-7	TORX TAP SCREW M5X15	4	PC.
019			266605-8	TORX SH BOLT M5X16	2	PC.
020			143461-2	DAMPING SPRING COMPLETE	2	PC.
021			266950-1	TORX SH BOLT M6X14	2	PC.
022			143442-6	TUBULAR HANDLE CPL.	1	PC.
023	2		140F77-0	DAMPING SPRING CPL. A	1	PC.
024			143462-0	DAMPING SPRING COMPLETE	1	PC.
025			266950-1	TORX SH BOLT M6X14	1	PC.
026	1		913 455 204	TORX TAP SCREW M5.5X20	2	PC.
	2		266475-5	TORX TAP SCREW M5.5X20	2	PC.
027	2		980 115 898	CAUTION LABEL	1	PC.
028			456297-3	CLAMP HANDLE	1	PC.
029			266990-9	TORX SH BOLT M6X35	1	PC.
030			319369-4	STAND SUPPORT	1	PC.
031			424788-2	DAMPER	1	PC.
032	1		913 455 204	TORX TAP SCREW M5.5X20	2	PC.
	2		266475-5	TORX TAP SCREW M5.5X20	2	PC.
033			424781-6	RUBBER FOOT	2	PC.
034			143451-5	FILTER COVER CPL.	1	PC.
		INC.		Item No. 37,38		
035			266947-0	H.L. SOCKET HEAD BOLT M5X14	2	PC.
036			807L79-2	CAUTION LABEL	1	PC.
037			807F55-0	WARNING SYMBLOS (N/A individually)	1	PC.
038			807F56-8	START PROCEDURE LABEL (N/A individually)	1	PC.
039			424789-0	AIR FILTER	1	PC.
040			143490-5	HOOD COM. BLUE	1	PC.
		INC.		Item No. 42		
041			266605-8	TORX SH BOLT M5X16	5	PC.
042			264108-6	SQUARE NUT M5	2	PC.

Item No.	Type	Sub	Part No.	Description	Qty	Unit
043	1		424790-5	INNER FILTER	1	PC.
	2		422201-4	SEALING INTAKE MANIFOLD	1	PC.
044			456291-5	INTAKE MANIFOLD	1	PC.
045	1		315 146 010	CONTACT SPRING	1	PC.
	2		346957-4	CONTACT SPRING	1	PC.
046			456292-3	CHOKE LEVER	1	PC.
047			264119-1	HEX NUT M4	4	PC.
048			456294-9	CATCH LEVER	1	PC.
049	1		315 117 030	SPRING	1	PC.
	2		233631-2	SPRING	1	PC.
050			456293-1	THROTTLE LEVER	1	PC.
051	1		315 117 040	THROTTLE LINKAGE	1	PC.
	2		326621-3	THROTTLE LINKAGE	1	PC.
052			168398-2	PRIMER PUMP	1	PC.
053			965 452 090	VITON TUBE 1000MM	1	PC.
054			965 452 090	VITON TUBE 1000MM	1	PC.
055			965 452 090	VITON TUBE 1000MM	1	PC.
056			965 452 660	FUEL LINE TUBE 1000MM	1	PC.
057	1		965 452 401	TUBE. VITON 10X6	1	PC.
	2		424787-4	TUBE. VITON 10X6 L=82MM	1	PC.
058	1		315 155 020	GASKET INTAKE MANIFOLD	1	PC.
058	2		346956-6	GASKET INTAKE MANIFOLD	1	PC.
	1		315 155 010	GASKET AIR VALVE	1	PC.
	2		346955-8	GASKET AIR VALVE	1	PC.
060	1		315 114 080	INTERMEDIATE WALL CPL.	1	PC.
	2		143440-0	INTERMEDIATE WALL CPL.	1	PC.
061	1		315 131 130	TUBE CLIP F/Item No. 70 Type 1 (No longer used for Type 2)	1	PC.
	1		315 173 050	FOAM INSERT	1	PC.
	2		424780-8	FOAM INSERT	1	PC.
064	1		315 173 040	SUCTION PIPE	2	PC.
	2		424777-7	SUCTION PIPE	2	PC.
065			346867-5	GUIDE RING	1	PC.
066			424778-5	SUCTION HOSE	1	PC.
068			143439-5	AIR HOSE COM.	1	PC.
069			424795-5	IMPULSE LINE	1	PC.
070			001 131 041	NIPPLE	1	PC.
071	1		266986-0	* H.L. SOCKET HEAD BOLT M5X14	2	PC.
	2		251577-0	* H.L. SOCKET HEAD BOLT M5X16	2	PC.
072	1		266986-0	* H.L. SOCKET HEAD BOLT M5X14	2	PC.
	2		251577-0	* H.L. SOCKET HEAD BOLT M5X16	2	PC.
073			346951-6	LEAD VALVE	1	PC.
074			310674-2	VALVE STOPPER	1	PC.
075			266985-2	TORX SH BOLT M4X8	1	PC.
076	2		346959-0	COOLING PLATE	1	PC.
077	1		395 174 120	MUFFLER GASKET	1	PC.
	2		346876-4	MUFFLER GASKET	1	PC.
078			161392-3	MUFFLER COM.	1	PC.
079			315 174 150	SPARK ARRESTER SCREEN CPL.	1	PC.
080			266605-8	TORX SH BOLT M5X16	3	PC.
082	2		264108-6	SQUARE NUT M5	1	PC.
083			143454-9	STARTER COMPLETE BLUE	1	PC.
		INC.		INC. 84,86,87,89-96		
084			315 160 630	STARTER HOUSING BLUE COM.	1	PC.
085			806K78-5	MAKITA LOGO LABEL	1	PC.
086	1		181 164 010	STARTER KNOB	1	PC.
	2		452458-3	STARTER GRIP	1	PC.
087	1		928 405 000	WASHER	1	PC.

Item No.	Type	Sub	Part No.	Description	Qty	Unit
		2	267821-5	SPRING WASHER 5	1	PC.
089		1	908 605 205	TORX SH BOLT M5X20	4	PC.
		2	266942-0	TORX SH BOLT M5X20	4	PC.
090		1	181 163 050	REWIND SPRING COM.	1	PC.
		2	140587-1	REWIND SPRING COM.	1	PC.
092		1	315 162 020	CABLE DRUM	1	PC.
		2	456308-4	CABLE DRUM	1	PC.
093		1	181 163 080	SPRING EASY START	1	PC.
		2	234193-3	SPRING EASY START	1	PC.
094			456309-2	DRIVER EASY START	1	PC.
095		1	181 163 095	SCREW	1	PC.
		2	266616-3	SCREW	1	PC.
096			315 160 020	AIR GUIDE PLATE	1	PC.
097			161390-7	SHORT-CIRCUIT CABLE	1	PC.
		INC.		Item No. 98		
098			965 401 016	RUBBER BUSH	1	PC.
099			266472-1	TORX SH BOLT M5X20	2	PC.
100			346954-0	EARTH SHEET	1	PC.
101			451462-9	ISOLATING WASHER	2	PC.
102			123479-9	IGNITION COIL COM.	1	PC.
		INC.		Item No. 103,180		
103			424706-0	PLUG CAP	1	PC.
103A	Opt.		957 604 260	PLUG CAP COM.	1	PC.
		INC.		Item No. 103,180		
105			143450-7	FLYWHEEL COMPLEE	1	PC.
106			315 166 020	RATCHET COM.	1	PC.
		INC.		Item No. 181, 182		
107			267822-3	SPRING WASHER 8	1	PC.
108			264022-6	HEX NUT	1	PC.
109		1	315 131 110	COOLING HOOD	1	PC.
		2	456289-2	COOLING HOOD	1	PC.
110			266942-0	TORX SH BOLT M5X20	1	PC.
111			143437-9	CRANKCASE MAGNETO SIDE COM.	1	PC.
		INC.		Item No. 115		
112			266984-4	TORX SH BOLT M5X25	4	PC.
113			266984-4	TORX SH BOLT M5X25	4	PC.
114			213814-0	RADIAL RING	2	PC.
115			211154-0	BALL BEARING 6202	1	PC.
116		1	315 120 011	CRANK SHAFT ASSY	1	PC.
		2	143435-3	CRANK SHAFT COMPLETE	1	PC.
117			212164-0	NEEDLE CAGE	1	PC.
118			346950-8	CYLINDER BASE GASKET	1	PC.
119			319375-9	CYLINDER 47	1	PC.
120		2	143436-1	PISTON COMPLETE	1	PC.
		INC.		Item N. 121,122		
121		1	315 132 020	PISTON RING D47	1	PC.
		2	325 132 050	PISTON RING D47	1	PC.
		3	257384-9	PISTON RING D47	1	PC.
122		3	315 132 140	CIRCLIP 11	1	PC.
123		2	315 132 050	PISTON PIN	1	PC.
124			346966-3	CRANK CASE GASKET	1	PC.
125			258038-1	CLAMPING PIN	4	PC.
126			211154-0	BALL BEARING 6202	1	PC.
127		1	266474-7	TORX SOCKET HEAD BOLT M5X9	1	PC.
		2	908 005 095	FLH SCREW 5X9	1	PC.
128		1	957 130 315	CYLINDER & PISTON 47 SET	1	PC.
		INC.		Item No. 117 - 120		

Item No.	Type	Sub	Part No.	Description	Qty	Unit
		2	183J68-2	CYLINDER & PISTON 47 SET	1	PC.
		INC.		Item No. 119,120		
132	1		315 111 230	CRANKCASE CLUTCH SIDE COM.	1	PC.
		INC.		Item No. 125,126		
		2	143449-2	CRANKCASE CLUTCH SIDE COM.	1	PC.
		INC.		Item No. 125,126		
135	1		960 124 126	BALL BEARING 6901	2	PC.
		2	211168-9	BALL BEARING 6901	2	PC.
137			161387-6	CLUTCH DRUM CPL.	1	PC.
		INC.		Item No. 135		
138	2		257385-7	SPACER	1	PC.
139			267389-1	FLAT WASHER 12	1	PC.
140			168510-4	CLUTCH COMPLETE	1	PC.
		INC.	181 184 010	TENSION SPRING	3	PC.
141			424799-7	POLY V BELT 6PJ812 (14")	1	PC.
142			143438-7	BELT COVER COM.	1	PC.
		INC.		Item No. 143		
143			266942-0	TORX SH BOLT M5X20	4	PC.
144			266976-3	HEX. BOLT M8X25	1	PC.
146	1		929 420 120	RETAINING RING 20X1.2	1	PC.
		2	234389-6	RETAINING RING 20X1.2	1	PC.
148	1		266986-0	* H.L. SOCKET HEAD BOLT M5X14	6	PC.
		2	251577-0	* H.L. SOCKET HEAD BOLT M5X16	6	PC.
149			319373-3	PRESSURE RING	1	PC.
150			424792-1	SLIDING DISC	1	PC.
151			424794-7	RUBBER RING INSIDE	1	PC.
152			424793-9	RUBBER RING OUTSIDE	1	PC.
153			424792-1	SLIDING DISC	1	PC.
154			143459-9	PROTECTION HOOD 350 CPL.	1	PC.
155			326623-9	AXLE F/20MM	1	PC.
156	2		211137-0	BALL BEARING 6201LLU	1	PC.
157	1		315 228 021	SPACER	1	PC.
		2	257386-5	SPACER	1	PC.
158	1		929 232 120	RETAINING RING 32X1.2	1	PC.
		2	234388-8	RETAINING RING 32X1.2	1	PC.
159	2		211137-0	BALL BEARING 6201LLU	1	PC.
160			216217-7	WASHER	1	PC.
161			222188-8	BELT PULLEY	1	PC.
162			310675-0	ECCENTRIC DISC	1	PC.
163			267822-3	SPRING WASHER 8	1	PC.
164			264022-6	HEXAGONAL NUT	1	PC.
165			807V00-1	CAUTION LABEL	1	PC.
167			266994-1	JET SCREW	2	PC.
168	1		963 211 025	O RING 11X2.5	1	PC.
		2	213828-9	O-RING 11	1	PC.
169			963 216 020	O-RING 16X2	2	PC.
170	1		315 341 150	WATER FILTER	1	PC.
		2	424791-3	WATER FILTER	1	PC.
171	1		963 211 025	O-RING 11X2.5	1	PC.
		2	213828-9	O-RING 11	1	PC.
172			315 341 130	REGULATING SCREW	1	PC.
176			319371-7	PRESSURE DISC 20.0	1	PC.
177			319371-7	PRESSURE DISC 20.0	1	PC.
178			424796-3	STOPPER	1	PC.
179			980 114 999	LABEL	1	PC.
180	1		965 604 180	TERMINAL SPRING	1	PC.
		2	234358-7	TERMINAL SPRING	1	PC.
181			266626-0	TORX (HEXLOBULAR) TAP SCREW M5X12	2	PC.

Item No.	Type	Sub	Part No.	Description	Qty	Unit
182			233629-9	TORSION SPRING (N/A as individually)	2	PC.
185	1		130 153 700	AIR HEAD COMPLETE	1	PC.
	2		143441-8	AIR HEAD COMPLETE	1	PC.
190			161395-7	CARBURETOR DM21A	1	PC.
		INC.		Item No. 443, 445, 446	1	PC.
192			315 132 140	CIRCLIP 11	1	PC.
193			422641-6	* INTAKE FLANGE GASKET	1	PC.
443			315 153 681	REPAIR KIT	1	PC.
		INC.		Item No. 444		
444			315 153 691	DIAPHRAGM GASKET SET	1	PC.
445			315 153 640	THROTTLE KIT	1	PC.
446			315 153 631	CHOKE SHAFT KIT	1	PC.

ACCESSORIES

- See Catalogue or visit www.makita.ca for more accessories information -

A01	2		198692-8	ACCESSORY TOOL KIT	1	PC.
		INC.	782025-3	TORX WRENCH	1	PC.
		INC.	782033-4	UNIVERSAL WRENCH 13/19 - N/A as individually	1	PC.
		INC.	783012-5	SCREWDRIVER	1	PC.
A04			964 802 400	COUPLING SLEEVE 3/4"	1	PC.
A04			123120-4	COUPLING SLEEVE 1/2" STOP	1	PC.
A05			966 141 120	14" ABR WHEEL F/ STONE 20MM	1	PC.
A06	2		966 141 152	14" ABR WHEEL F/ STEEL 20MM	1	PC.
A07	1		965 603 021	SPARK PLUG	1	PC.
	2		168517-0	SPARK PLUG	1	PC.
A08			394 164 020	STARTER ROPE DIA.4.0MM X 1.0M BLACK	1	PC.
A09	2		183J43-8	WATER ATTACHMENT KIT	1	PC.
		INC.		INC. 167-172		
C01	2		878462-8	CARTON F/EK6101	1	PC.
E01			809P13-2	CLEAR LABEL	1	PC.

Service Change

1. Addition of Intake Flange Gasket, change of bolt

Item No.	Description	Image	Type 1	Type 2
193	Intake Flange Gasket	[1]	---	422641-6
71	HL Socket Head Bolt	[2]	266986-0	251577-0
72	HL Socket Head Bolt	[3]	266986-0	251577-0
148	HL Socket Head Bolt	[4]	266986-0	251577-0

Above parts are completely interchangeable as a set.
Item 146, replace 6 pcs. At the same time.

